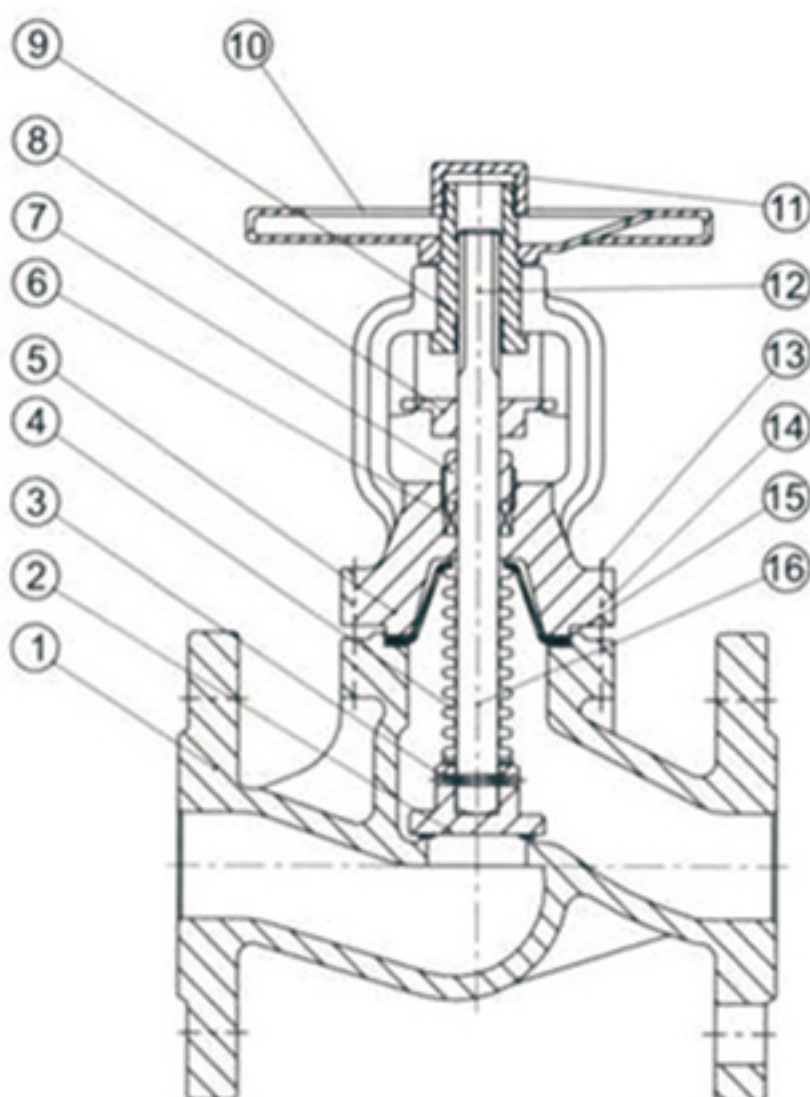




DIN Globe Valve

The DIN globe valve is suitable for various pipes, whose pressure ranges from Class150 to Class1500 (PN16 to PN160), besides, it is generally connected by flange, but also by butt welding. The design of double rugged bellows seal(bellows + packing)ensures zero leakage of the stem. Good wear resistance, corrosion resistance and long service life are the characteristics of this type valve. So it can be applied to various mediums, such as: water; steam; oil; nitric acid; acetic acid; urea; etc. The DIN globe valve is widely driven by manual, worm gear, pneumatic and electric.



Specifications

construction	BB-BG-OS&Y
operation	hand-operated
	pneumatic
Design Standard	DIN3356
face to face dimension	DIN3202
flanged ends	DIN2543-2545
test&inspection	DIN3230

Structure Dimensions

Pressure Level(MPa)		PN1.6MPa															
Caliber	mm	15	20	25	32	40	50	65	80	100	125	150	200	250	300	350	400
L		130	150	160	180	200	230	290	310	350	400	450	600	730	850	980	1100
H		240	260	276	285	300	305	354	402	437	496	541	699	815	914	1189	1350
W		120	140	160	160	180	200	200	750	250	300	350	400	450	500	550	600
Weight(Kg)		8	10	12	16	17	20	30	38	56	75	100	182	278	398	500	618
Pressure Level(MPa)		PN1.6MPa															
Caliber	mm	15	20	25	32	40	50	65	80	100	125	150	200	250	300	350	400
L		130	150	160	180	200	230	290	310	350	400	450	600	730	850	980	1100
H		240	260	276	285	300	325	363	415	453	505	556	744	864	948	1269	1450
W		120	140	160	160	180	200	200	250	300	350	400	450	500	550	600	600
Weight(Kg)		8	10	12	16	17	20	30	39	58	80	101	190	290	405	510	650
Pressure Level(MPa)		PN1.6MPa															
Caliber	mm	15	20	25	32	40	50	65	80	100	125	150	200	250	300	350	400
L		130	150	160	180	200	230	290	310	350	400	450	600	730	850	980	1100
H		240	260	276	285	300	325	370	430	480	532	589	783	888	965	1285	1512
W		120	140	160	160	180	200	200	250	300	350	400	450	500	550	600	600
Weight(Kg)		8	10	12	16	17	22	31	41.5	61	83	110	210	318.5	430	520	680
Pressure Level(MPa)		PN1.6MPa															
Caliber	mm	15	20	25	32	40	50	65	80	100	125	150	200	250	300	350	400
L		130	150	160	180	200	300	340	380	430	500	550	650	775	900	1025	1150
H		240	260	276	285	300	305	354	402	437	495	541	699	815	914	1189	1350
W		120	140	160	160	180	200	200	750	250	300	350	400	450	500	550	600
Weight(Kg)		8	10	12	16	17	20	30	38	56	75	100	182	278	398	500	618
Pressure Level(MPa)		PN1.6MPa															
Caliber	mm	15	20	25	32	40	50	65	80	100	125	150	200	250	300	350	400
L		130	150	160	180	200	300	340	380	450	500	550	650	775	900	1025	1250
H		240	260	276	285	300	325	363	415	453	505	556	744	864	948	1269	1450
W		120	140	160	160	180	200	200	250	300	350	400	450	500	550	600	600
Weight(Kg)		8	10	12	16	17	20	30	39	58	80	101	190	290	405	510	650
Pressure Level(MPa)		PN1.6MPa															
Caliber	mm	15	20	25	32	40	50	65	80	100	125	150	200	250	300	350	400
L		130	150	160	180	200	300	340	380	450	500	550	650	775	900	1025	1250
H		240	260	276	285	300	325	370	430	480	532	589	783	888	965	1285	1512
W		120	140	160	160	180	200	200	250	300	350	400	450	500	550	600	600
Weight(Kg)		8	10	12	16	17	22	31	41.5	61	83	110	210	318.5	430	520	680

All statements, technical information, and recommendations in this brochure are only for general use. For your specific requirements and material selection, please consult with representatives or sales of AEN.TECH. The right to change or modify the product design or product itself without prior notice is reserved.

Welcome global partners!

AEN.TECH

CONTACT

No. 309, Anqian Road, High-tech Zone, Anshan, Liaoning, China

E-mail: liuchangsong9688@gmail.com, ceo@asaicn.com

TEL No: +86 04122616600

www.aen-valve.com

2020 AEN.TECH International. All rights reserved.