

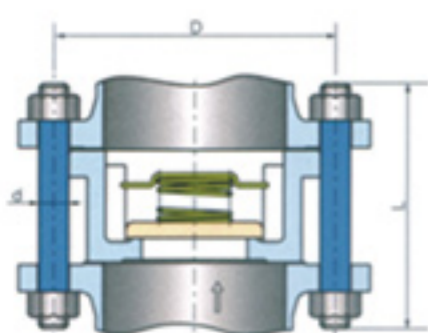
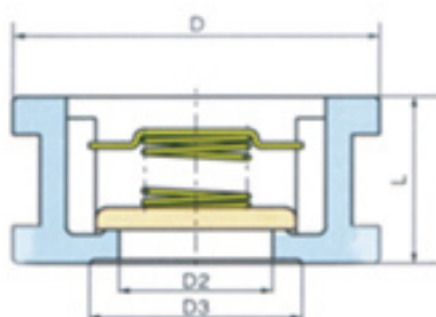


AH71
Check Valve DN15~DN1200

AH71 Wafer Lift Check Valve

The AH71 wafer lift check valve has a lot of advantages:

1. Short structure length, which is only 1/4 ~ 1/8 of the length of traditional flange check valve;
2. Small size and light weight, whose weight is only 1/4 ~ 1/20 of the conventional flange check valve ;
3. The disc closes quickly and the water hammer pressure is small;
4. Easy to install, horizontal or vertical pipeline both are OK;
5. Sensitive action and good sealing performance;
6. The disc stroke is short and the valve closing impact force is small;
7. The overall structure is simple and compact;
8. Long service life and high reliability.



Inside nominal diameter		Fluid resistance coefficient when the valve totally open	Water flow coefficient when the valve totally open under normal pressure			Fluid flow direction		
DN	NPS		Kv(m ³ /h)	CV(U.S)	CV(U.K)	↑	↓	→
						Pressure approximation of opening (Kpa)		
15	1/2	6.4	2.6	3.0	2.5	3	2	2.5
20	3/4	5.1	6.4	7.5	6.3	3	2	2.5
25	4	4.1	12.6	14.8	12.3	3	2	2.5
32	1 1/4	4.1	19.7	23.1	19.3	3	2	2.5
40	1 1/2	3.8	29.5	63.9	28.9	3	2	2.5
50	2	3.5	54.6	99.9	63.5	3	2	2.5
65	2 1/2	3.5	85.4	150	83.7	3	2	2.5
80	3	3.2	128	286	125	3	2	2.5
100	4	2.8	244	286	249	3	2	2.5
125	5	2.9	375	439	368	3	1	2.2
150	6	3.1	522	611	512	3	1	2.2
200	8	3.2	915	1070	897	3	1	2.2

Mode, Material and Main Parameters

Piping flange	Nominal pressure	Standard mode						
		AH71H-10C	AH71W10P	AH71W10P8	AH71W10P8	AH71W10R	AH71W10R8	AH71W10R3
JB/T74-90	PN1.0MPa	AH71H-10C	AH71W10P	AH71W10P8	AH71W10P8	AH71W10R	AH71W10R8	AH71W10R3
	PN1.6MPa	AH71H-16C	AH71H-16P	AH71H-16P8	AH71H-16P8	AH71H-16R	AH71H-16R8	AH71H-16R3
GB9112-912	PN2.5MPa	AH71H-25	AH71H-25P	AH71H-25P8	AH71H-25P8	AH71H-25R	AH71H-25R8	AH71H-25R3
	PN4.0MPa	AH71H-40	AH71H-40P	AH71H-40P8	AH71H-40P8	AH71H-40R	AH71H-40R8	AH71H-40R3
HG20592-20	PN6.3MPa	AH71H-63	AH71H-63P	AH71H-63P8	AH71H-63P8	AH71H-63R	AH71H-63R8	AH71H-63R3
	PN10.0MPa	AH71H-100	AH71H-100P	AH71H-100P8	AH71H-100P8	AH71H-100R	AH71H-100R8	AH71H-100R3
614	PN16.0MPa	AH71H-160	AH71H-160P	AH71H-160P8	AH71H-160P8	AH71H-160R	AH71H-160R8	AH71H-160R3
	PN2.0MPa	AH71H-20C	-	AH71H-20P8	AH71H-20P8	-	AH71H-20R8	AH71H-20R3
CB/T9112-9	PN5.0MPa	AH71H-50	-	AH71H-50P8	AH71H-50P8	-	AH71H-50R8	AH71H-50R3
	PN11.0MPa	AH71H-110	-	AH71H-110P8	AH71H-110P8	-	AH71H-110R8	AH71H-110R3
HG20615-20	PN15.0MPa	AH71H-150	-	AH71H-150P8	AH71H-150P8	-	AH71H-150R8	AH71H-150R3
	Class150	AH71H-A1C	-	AH71H-A1CP8	AH71H-A1CP8	-	AH71H-A1R8	AH71H-A1R3
ANSIB16.5	Class300	AH71H-A3	-	AH71H-A3P8	AH71H-A3P8	-	AH71H-A3R8	AH71H-A3R3
	Class600	AH71H-A6	-	AH71H-A6P8	AH71H-A6P8	-	AH71H-A6R8	AH71H-A6R3
635、SH3406	Class900	AH71H-A9	-	AH71H-A9P8	AH71H-A9P8	-	AH71H-A9R8	AH71H-A9R3

Material of Main Spare Parts	Valve body	WCB(A105)	ZG1Cr18Ni9Ti	CF8(304)	CF3(304L)	ZG1Cr18Ni12Mo2Ti	CF8M(316)	CF3M(316L)
	Valve clack	2Cr13	1Cr18Ni9Ti	0Cr18Ni9	00Cr19Ni10	1Cr18Ni12TMO2i	00Cr17Ni12Mo2	00Cr17Ni14Mo2
	Clamping ring	2Cr13	1Cr18Ni9Ti	0Cr18Ni9	00Cr19Ni10	1Cr18Ni12TMO2i	00Cr17Ni12Mo2	00Cr17Ni14Mo2
	Spring	0Cr18Ni9	0Cr18Ni9	0Cr18Ni9	00Cr19Ni10	1Cr18Ni12TMO2i	00Cr17Ni12Mo2	00Cr17Ni14Mo2
Applicable Condition	Applicable agent	Water, steam, oil etc	Corrosive environment such as hydrogen nitrate etc		Strong oxidizing agent	Corrosive environment such as ethylic acid etc		Corrosive environment such as excrement
	Applicable temperature (°C)	-29~425	-196~540		-196~425	-196~540		-196~455
Remarks: This table is applicable for the mode, main spare parts materials and application conditions of standard wafer check valve, other requirements and relative mode please refer to the mode coding means of wafer check valves								

Main Size and Weight

Nominal pressure PN MPa	Inside nominal diameter DN mm	Size(mm)						Weight (Kg)	Piping flange (For reference)			
		L	D	D2	D3	D4	D5		Diameter of center circle of bolt hole	Bolt quantity	Bolt diameter	Bolt length
PN1.0MPa PN1.6MPa	15	16	52	15	24	31	40	0.12	65	4	M12	75
	20	19	62	19	30	40	50	0.24	75	4	M12	90
	25	22	70	24	36	47	58	0.34	85	4	M12	90
	32	28	83	31	46	56	68	0.53	100	4	M16	100
	40	31.5	93	39	55	66	78	0.80	110	4	M16	105
	50	40	108	48	65	78	90	1.2	125	4	M16	125
	65	46	128	62	80	95	110	1.8	145	4	M16	130
	80	50	142	76	96	110	125	2.2	160	8	M16	135
	100	65	162	95	115	135	150	3.4	180	8	M16	150
	125	90	192	110	125	132	-	9.0	210	8	M16	180
	150	106	218	127	150	158	-	14	240	8	M20	210
PN1.0MPa	200	140	273	165	200	208	-	24	295	8	M20	240
PN1.6MPa	200	140	273	165	200	208	-	24	295	12	M20	240
PN2.5MPa	15	16	52	15	24	31	40	0.12	65	4	M12	80
	20	19	62	19	30	40	50	0.24	75	4	M12	90
	25	22	72	24	36	47	58	0.34	85	4	M12	90
	32	28	83	31	46	56	68	0.53	100	4	M16	110
	40	31.5	93	39	55	66	78	0.80	110	4	M16	115
	50	40	108	48	65	78	90	1.2	125	4	M16	125
	65	46	128	62	80	95	110	1.8	145	8	M16	135
	80	50	142	76	96	110	128	2.2	160	8	M16	145
	100	60	168	95	115	135	150	3.8	190	8	M20	160
	125	90	194	110	125	132	-	9.2	220	8	M24	205
PN4.0MPa	150	106	224	127	150	158	-	15	250	8	M24	225
	200	140	284	165	200	208	-	26	310	12	M24	260
	15	16	52	15	24	31	40	0.12	65	4	M12	80
	20	19	62	19	30	40	50	0.24	75	4	M12	90
	25	22	72	24	36	47	58	0.34	85	4	M12	90
	32	28	83	31	46	56	68	0.53	100	4	M16	110
	40	31.5	93	39	55	66	78	0.80	110	4	M16	115
	50	40	108	48	65	78	90	1.2	125	4	M16	125
	65	46	128	62	80	95	110	1.8	145	8	M16	135
	80	50	142	76	96	110	128	2.2	160	8	M16	145
100	60	168	95	115	135	150	3.8	190	8	M20	160	
125	90	194	110	125	132	-	9.2	220	8	M24	205	
150	106	224	127	150	158	-	15	250	8	M24	225	
200	140	291	165	200	208	-	28	320	12	M27	M27	

All statements, technical information, and recommendations in this brochure are only for general use. For your specific requirements and material selection, please consult with representatives or sales of AEN .TECH. The right to change or modify the product design or product itself without prior notice is reserved.

Welcome global partners!

AEN.TECH

CONTACT

No. 309, Anqian Road, High-tech Zone, Anshan, Liaoning, China

E-mail: liuchangsong9688@gmail.com, ceo@asaicn.com

TEL No: +86 04122616600

www.aen-valve.com

2020 AEN.TECH International. All rights reserved.