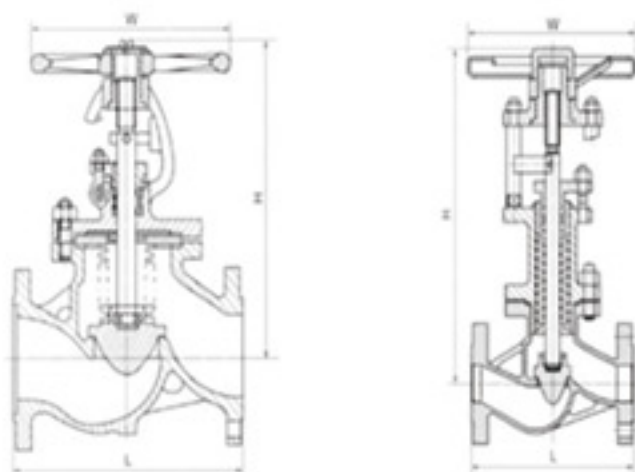




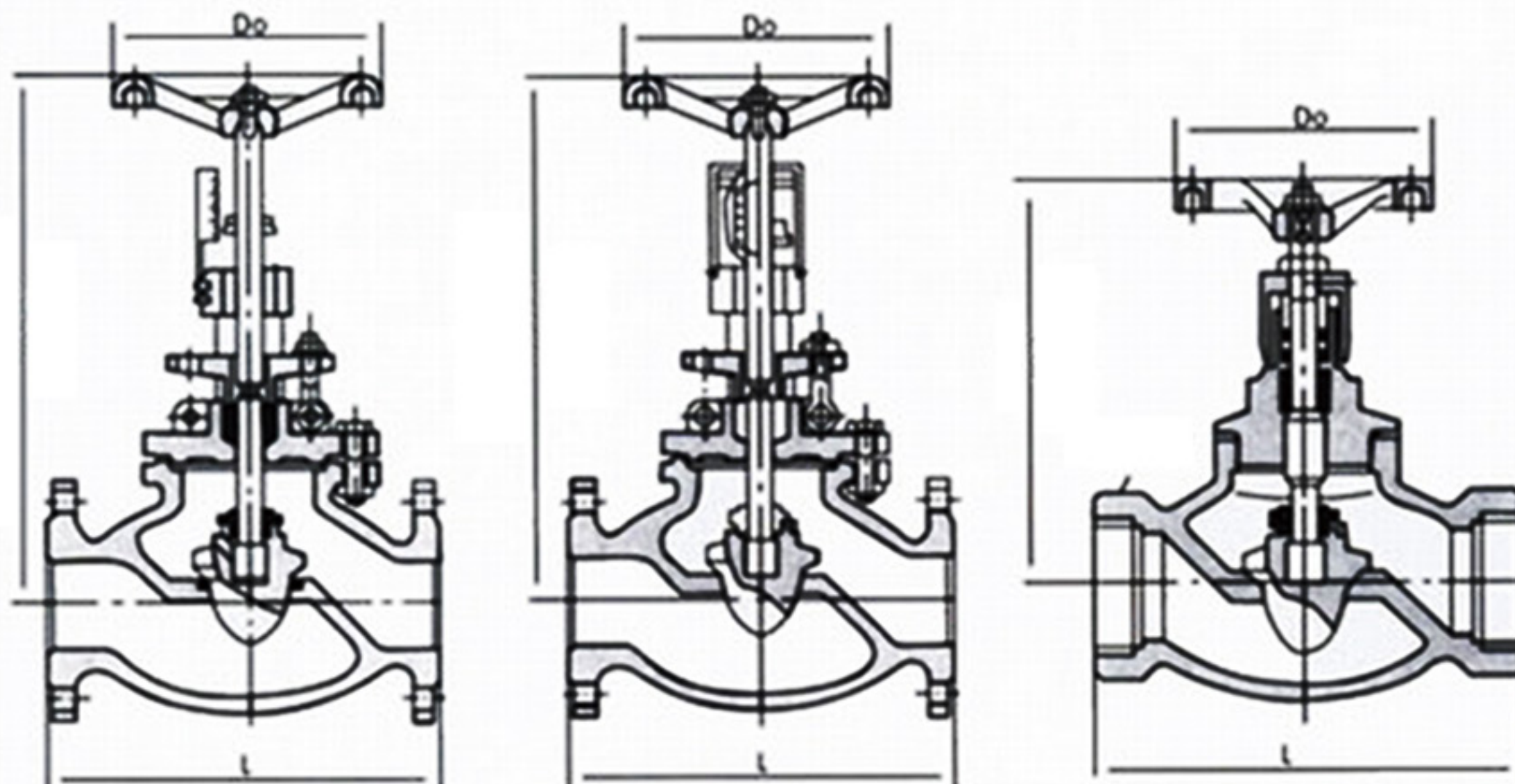
Manual Control Valve

The manual control valve is a control component in the pipeline fluid delivery system, which is used to change the passage section and the flow direction of the medium, and also has the functions of diversion, cut-off, regulation, throttling, check, diversion or overflow relief. Valves for fluid control, from the simplest shut-off valves to the most complex self-control systems, are available in a wide variety of sizes. The nominal diameter of the valve ranges from very small instrument valves up to 10m big size valves. The valve can be used to control the flow of various types of fluids such as water, steam, oil, gas, mud, various corrosive media, liquid, metal and radioactive fluid. The working pressure of the valve can be from 0.0013MPa to 1000MPa. From extremely low temperature of -269°C to high temperature of 1430°C. This type control valve can be used in a variety of transmission methods, such as manual, electric, hydraulic, pneumatic, worm gear, electromagnetic, electromagnetic hydraulic, electric hydraulic, gas hydraulic, spur gear, bevel gear drive, etc. It can be operated under the action of pressure, temperature or other forms of sensing signals, according to predetermined requirements, or simply turned on or off without relying on the sensing signal. The valve relies on the drive or automatic mechanism to make the opening and closing parts lift and slide, move, swivel to change the size of its running area to achieve its control function.

Specifications



Part Name	Material
Valve body, bonnet, packing gland	Gray cast iron, cast steel, stainless steel, brass
Valve stem, disc, seal	stainless steel
Stem nut	brass



Outline Mounting Size

PN(MPa)	DN	Dimension(mm)			
		L	H	H1	D0
1.6	15	130	150	160	80
	20	150	160	170	80
	25	160	182	197	120
	32	180	192	210	140
	40	200	250	275	160
	50	230	264	295	180
	65	290	380	420	220
	80	310	413	480	280
	100	350	466	520	300
	125	400	540	620	350
	150	480	623	710	400
	200	495	687	825	450
	250	622	782	915	500
	300	698	914	1080	550
	350	787	968	1150	680
400	914	1037	1250	680	

All statements, technical information, and recommendations in this brochure are only for general use. For your specific requirements and material selection, please consult with representatives or sales of AEN.TECH. The right to change or modify the product design or product itself without prior notice is reserved.

Welcome global partners!

AEN.TECH CONTACT

No. 309, Anqian Road, High-tech Zone, Anshan, Liaoning, China

E-mail: liuchangsong9688@gmail.com, ceo@asaicn.com

TEL No: +86 04122616600

www.aen-valve.com