

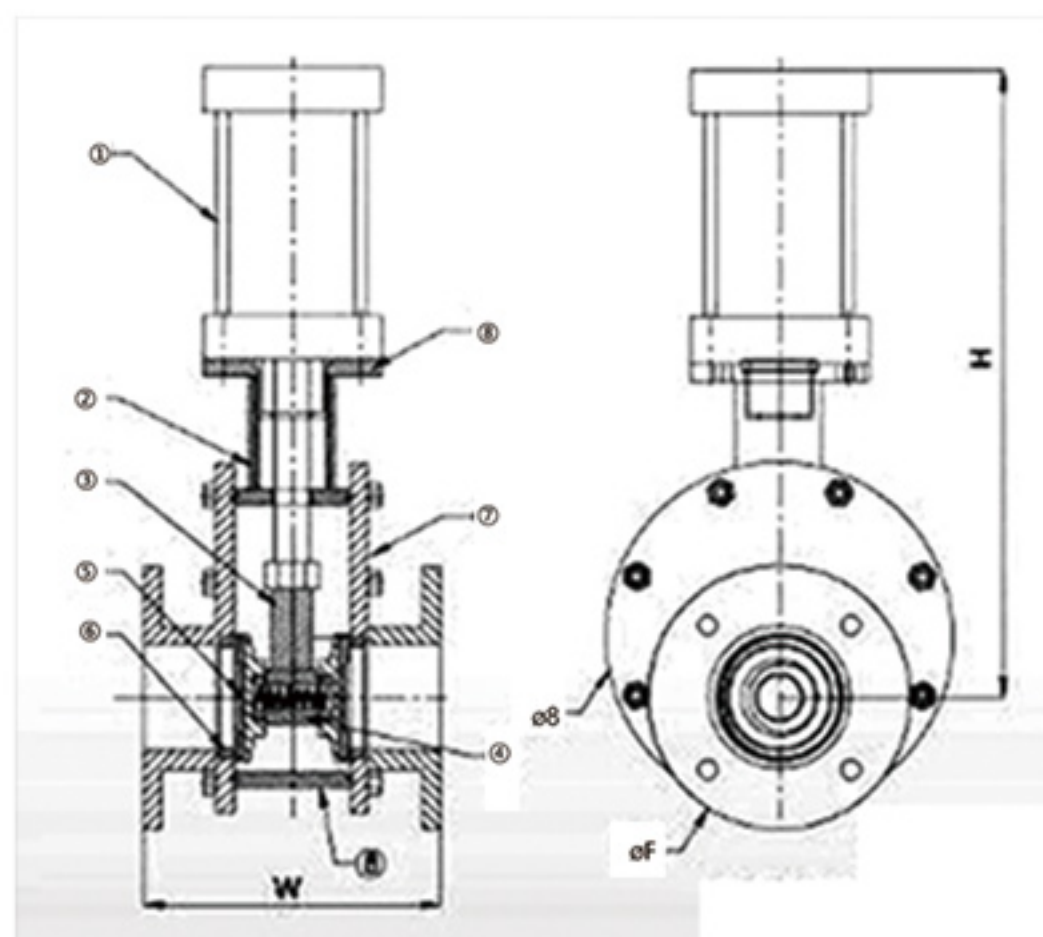


Pneumatic Ceramic Wear-Resistant Gate Valve

This series valve is suitable for dry ash system in dry power plant, bin pump discharge conveying, and also can be used for opening and closing of pipes with soft particles and corrosive medium.

Nominal pressure: 1.0MPa, 1.6MPa; Adaptive temperature: 200°C; Air source pressure : 0.4-0.6MPa.

This series valve is full-sealed in any direction when turned off, and the body and two end covers are made of WCB cast steel. The material mouth is full circulation without blockage and equipped with cleaning hole, which enables strong wear resistance and good seal performance and less pneumatic load which leads to less ash-remaining. Because the use of high-grade toughening composite engineering ceramic seal structure in channel and sealing surface, and this series valve will enjoy long service life and flexible installation in any direction.



Material

No.	Name	Material	No.	Name	Material
1	Valve body	WCB	6	Valve stem	2Cr13
2	Cap	WCB	7	filler	Fluoroplastic + Silicone Rubber
3	Valve plate	Composite engineering ceramics	8	Stuffing pad	2Cr13
4	Valve plate seat	45 #	9	Packing gland	WCB
5	Seat	Composite engineering ceramics	10	Pneumatic device	

Design Technical Specifications

Design and Manufacturing		GB/T 12224
Connection size	Structure length	User needs
	Flange size	JB/T 79.1
Inspection and test		GB/T9092
Material	Carbon steel	GB/T 12229
	Stainless steel	GB/T 12230
Logo		GB/T 12220
Supply		GB/T 12225

Main Shape and Link Size

Nominal Diameter DN	Nominal Pressure PN	L	D	D1	H	N-d
50	1.0MPa	120	165	125	470	4-M16
65		120	185	145	490	4-M16
80		120	200	160	550	8-M16
100		120	220	180	610	8-M16
125		140	250	210	700	8-M16
150		155	285	240	830	8-M20
175		160	310	270	920	8-M20
200		160	340	295	1130	8-M20
250		200	405	350	1250	12-M20
300		200	460	400	1550	12-M20
50	1.6MPa	120	165	125	470	4-M16
65		120	185	145	490	4-M16
80		120	200	160	550	8-M16
100		120	220	180	610	8-M16
125		140	250	210	700	8-M16
150		155	285	240	830	8-M20
175		160	310	270	920	8-M20
200		160	340	295	1130	12-M20
250		200	405	355	1250	12-M24
300		200	460	410	1550	12-M24

All statements, technical information, and recommendations in this brochure are only for general use. For your specific requirements and material selection, please consult with representatives or sales of AEN.TECH. The right to change or modify the product design or product itself without prior notice is reserved.

Welcome global partners!

AEN.TECH

CONTACT

No. 309, Anqian Road, High-tech Zone, Anshan, Liaoning, China

E-mail: liuchangsong9688@gmail.com, ceo@asaicn.com

TEL No: +86 04122616600

www.aen-valve.com

2020 AEN.TECH International. All rights reserved.